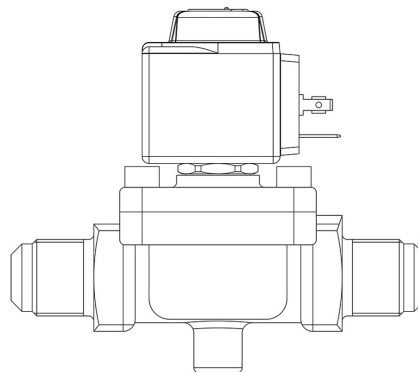


Product Code

1090/5A6

Solenoid Valve
5/8"Flare 220-230V
PS = 45 bar



CLASSIC

Product use

Accessories for use with the following ASHRAE 34:2019 refrigerants, Class A1:

HCFC (R22)

HFC (R134a, R404A, R407C, R410A, R507)

HFO (R1234ze)

HFO + HFC (R448A, R449A, R450A, R452A, R513A, R515A, R515B)

These valves are sold in both the version without the coil (S suffix) and the version with the coil (A6 suffix for coils at 220 VAC and A7 suffix for coils at 240 VAC).

Product details

Princípio de funcionamento Servocomando com membrana

Desenho img(1090_5A6.jpg)

N° catálogo 1090/5A6

Tipo de Bobina (1) HF2

Ligações SAE flare 5/8"

Kv [m³/h] 3,8

PS [bar] 45

TS [°C] min. -35

TS [°C] max. +105

Embalagem 14

Notes

(1) : Bobinas montadas nas válvulas