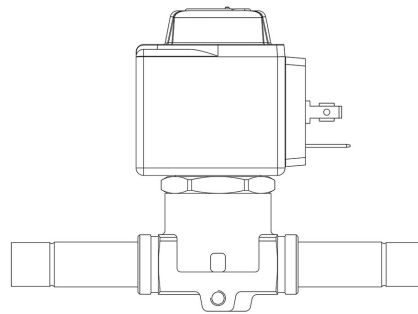


Product Code

1068/3A6

Solenoid Valve
3/8" ODS 220-230V
PS = 45 bar



CLASSIC

Product use

Accessories for use with the following ASHRAE 34:2019 refrigerants, Class A1:

HCFC (R22)

HFC (R134a, R404A, R407C, R410A, R507)

HFO (R1234ze)

HFO + HFC (R448A, R449A, R450A, R452A, R513A, R515A, R515B)

These valves are sold in both the version without the coil (S suffix) and the version with the coil (A6 suffix for coils at 220 VAC and A7 suffix for coils at 240 VAC).

Product details

Princípio de funcionamento Servocomando com membrana

Desenho img(1068_3A6.jpg)

N° catálogo 1068/3A6

Tipo de Bobina (1) HF2

Ligações ODS Ø [in.] 3/8"

Ligações ODS Ø [mm] -

Kv [m³/h] 0,8

PS [bar] 45

TS [°C] min. -35

TS [°C] max. +105

Notes

(1) : Bobinas montadas nas válvulas