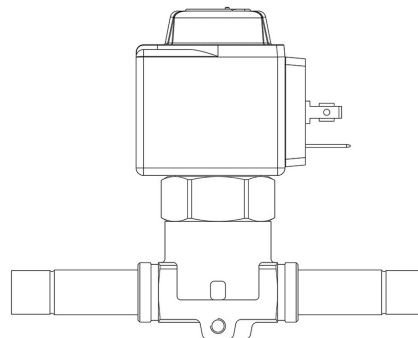


## Product Code

# 1038/3A6

Solenoid Valve  
3/8" ODS 220-230V  
PS = 45 bar



CLASSIC

### Product use

Accessories for use with the following ASHRAE 34:2019 refrigerants, Class A1:

HCFC (R22)

HFC (R134a, R404A, R407C, R410A, R507)

HFO (R1234ze)

HFO + HFC (R448A, R449A, R450A, R452A, R513A, R515A, R515B)

These valves are sold in both the version without the coil (S suffix) and the version with the coil (A6 suffix for coils at 220 VAC and A7 suffix for coils at 240 VAC).

### Product details

**Princípio de funcionamento** Servocomando com membrana

**Desenho** img(1038\_3A6.jpg)

**N° catálogo** 1038/3A6

**Tipo de Bobina (1)** HF2

**Ligações ODS Ø [in.]** 3/8"

**Ligações ODS Ø [mm]** -

**Kv [m<sup>3</sup>/h]** 1

**PS [bar]** 45

**TS [°C] min.** -35

**TS [°C] max.** +110

## Notes

(1) : Bobinas montadas nas válvulas