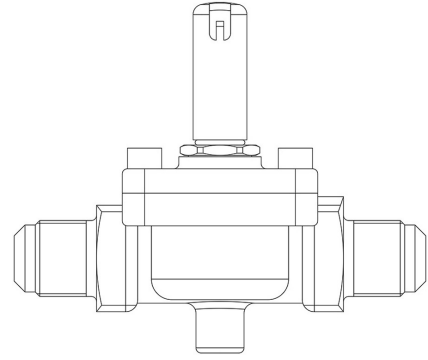


Product Code

1050N/5S

Solenoid Valve
5/8"Flare w/o Coil
PS = 50 bar



P  **LYHEDRA**

Product use

Accessories for use with the following ASHRAE 34:2019 refrigerants, Class A1, A2L, or A3:
HFC (R134A, R32, R404A, R407C, R410A, R507)
HFO (R1234YF, R1234ZE)
HFO + HFC (R448A, R449A, R450A, R452A, R452B, R454A, R454B, R454C, R455A, R513A, R515A, R515B)
HC (R290, R600, R600A, R1270)

These valves are sold in both the version without the coil (S suffix) and the version with the coil (A6 suffix for coils at 220 VAC).

Product details

Princípio de funcionamento Servocomando com pistão

Desenho img(1050N_5S.jpg)

N° catálogo 1050N/5S

Tipo de Bobina (1) HF2HF3HF4HM2HM3HM4CM2

Ligações SAE flare 5/8"

Kv [m³/h] 3,8

PS [bar] 50

TS [°C] min. -40

TS [°C] max. +130

Notes

(1) : bobinas que podem ser montadas nas válvulas