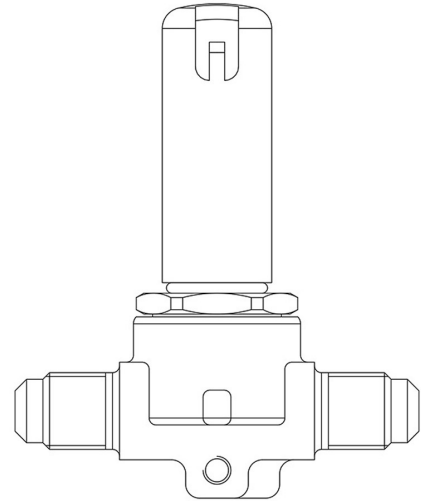


Product Code

1020N/2S

Solenoid Valve
1/4" Flare w/o Coil
PS = 50 bar



P  **LYHEDRA**

Product use

Accessories for use with the following ASHRAE 34:2019 refrigerants, Class A1, A2L, or A3:
 HFC (R134A, R32, R404A, R407C, R410A, R507)
 HFO (R1234YF, R1234ZE)
 HFO + HFC (R448A, R449A, R450A, R452A, R452B, R454A, R454B, R454C, R455A, R513A, R515A, R515B)
 HC (R290, R600, R600A, R1270)

These valves are sold in both the version without the coil (S suffix) and the version with the coil (A6 suffix for coils at 220 VAC).

Product details

Princípio de funcionamento	Ação direta
Desenho	img(1020N_2S.jpg)
N° catálogo	1020N/2S
Tipo de Bobina (1)	HF2HF3HF4HM2HM3HM4CM2
Ligações SAE flare	1/4"
Kv [m³/h]	0,175
PS [bar]	50
TS [°C] min.	-40
TS [°C] max.	+130

Notes

(1) : bobinas que podem ser montadas nas válvulas