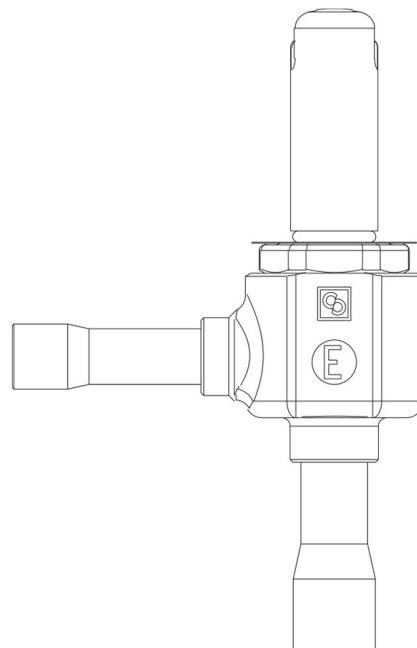


Product Code

2028E/M10S03

10mmx12mm ODS Seat 03
10mmx12mm ODS Orificio 03
PS = 90 bar



Product use

Accessories for use with refrigerant R744.

These valves are only sold in the model without the coil (S suffix), with 9 nozzles assembled for an increasing output from 2 to 43 kW.

Product details

Desenho img(2028E_3S01.jpg)

N° catálogo 2028E/M10S03

Tipo de furo 03

Conexões In Ø [in.] -

Conexões In Ø [mm] 10

Out Ø [in.] -

Out Ø [mm] 12

Kv [m³/h] 0,023

PS [bar] 90

MWP [psi] (1) 1305

TS [°C] min. min. -50

TS [°C] max. max. +100

Embalagem 17

Notes

(1): em conformidade com a aprovação UL