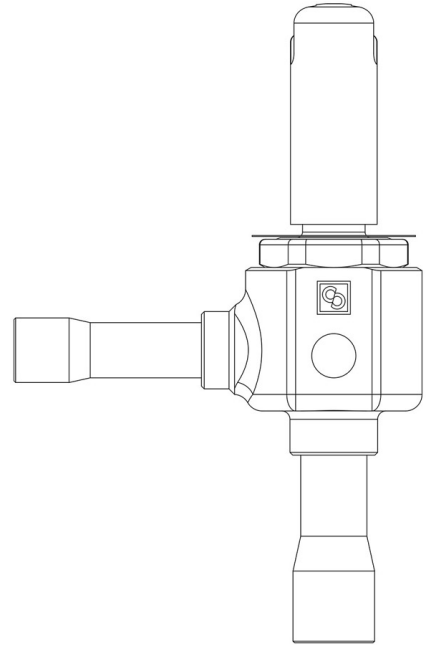


Product Code

2028R/M12S07



CLASSIC

Product use

Accessories for use with the following ASHRAE 34:2019 refrigerants, Class A1:

HCFC (R22)

HFC (R134a, R404A, R407C, R410A, R507)

HFO (R1234ze)

HFO + HFC (R448A, R449A, R450A, R452A, R513A, R515A, R515B)

These valves are only sold in the model without the coil (S suffix), with 9 nozzles assembled for an increasing output from 1 to 22 kW with R410A.

Product details

Desenho img(2028_3S01.jpg)

N° catálogo 2028R/M12S07

Tipo de furo 07

Conexões In Ø [in.] -

Conexões In Ø [mm] 12

Out Ø [in.] -

Out Ø [mm] 16

Kv [m³/h] 0,2

Potências nominais R23 (1) [kW] 21,4

PS [bar] 45

TS [°C] min.	-80
TS [°C] max.	+60
Embalagem	17

Notes

(1) As potencialidades nominais são referidas a:

- Temperatura de evaporação $T_{evap} = - 30 \text{ }^{\circ}\text{C}$
- Temperatura de condensação $T_{cond} = -4 \text{ }^{\circ}\text{C}$
- Temperatura do líquido na entrada da válvula $T_{liq} = - 8 \text{ }^{\circ}\text{C}$