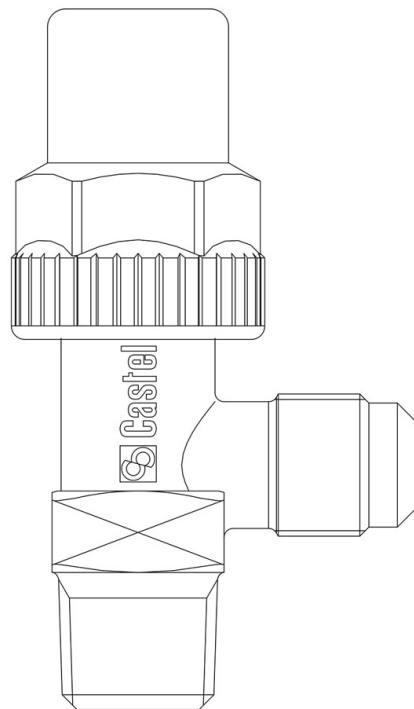


Product Code

**6110/66**

Receiver Valve  
3/4"Flarex3/4"NPT  
PS = 45 bar

CLASSIC



## Product use

Accessories for use with the following ASHRAE 34:2019 refrigerants, Class A1:

HCFC (R22)

HFC (R134a, R404A, R407C, R410A, R507)

HFO (R1234ze)

HFO + HFC (R448A, R449A, R450A, R452A, R513A, R515A, R515B)

## Product details

Desenho img(6110\_21.jpg)

N° catálogo 6110/66

Fix. Carga SAE Flare -

Conexões SAE Flare 3/4"

Conexões NPT 3/4"

Kv [m<sup>3</sup>/h] 6

PS [bar] 45

TS [°C] min. -40

TS [°C] max. +130

Embalagem 24