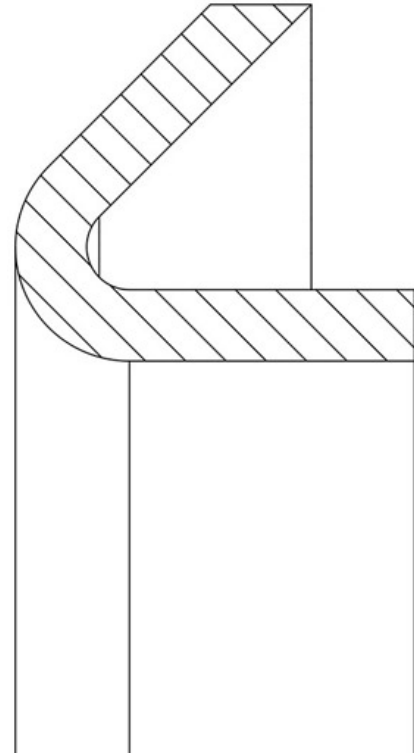


Product Code

8580/2

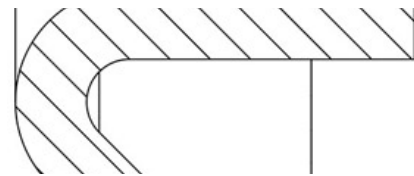
Copper Gasket
1/4" Flare with Neck
PS = 140 bar



Product use

Accessories for use with the following ASHRAE 34:2019 refrigerants, Class A1, A2L, or A3:

- HCFC (R22)
- HFC (R134a, R32, R404A, R407C, R410A, R507)
- HFO and HFO/HFC blends (R1234ze, R1234yf, R448A, R449A, R450A, R452A, R513A, R515A, R515B)
- HC (R290, R600, R600a, R1270)
- R744



Product details

Desenho img(8580_2.jpg)

N° catálogo 8580/2

Conexões SAE Flare Mecanismo 1/4"

Conexões SAE Flare F -

NPT -

IDS Ø [in.] -

IDS Ø [mm] -

PS [bar] 140

Embalagem 100