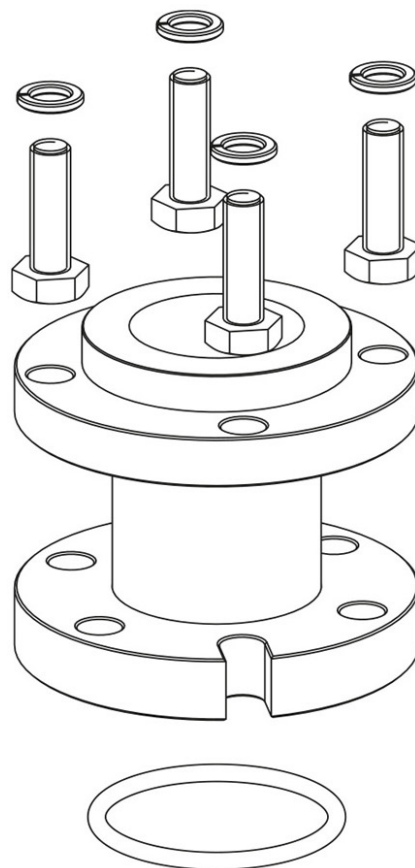


Product Code

5690E/X01

Oil Level Regulator Adapter
Flanged 3 holes D. 1.7/8"-4 holes D. 50
PS = 140



Product use

The oil regulators ensure monitoring and control of the oil level in the crankcases of both alternative reciprocating and scroll compressors. Specifically, these regulators are employed to resolve the problem of incorrect oil distribution in multiple compressor plants.

- Refrigerant CO2 (R744)

Product details

Desenho 

N° catálogo 5690E/X01

Conexões Carter compressor (1 Flange com 6 furos no diâmetro 1.7/8" e 4 furos no diâmetro 50 mmL = 53 mm)

Embalagem 5

Notes

(1) incluindo parafusos para fixar o adaptador ao regulador de nível de óleo