

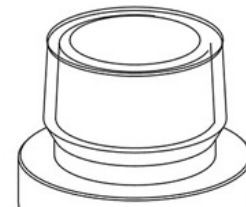
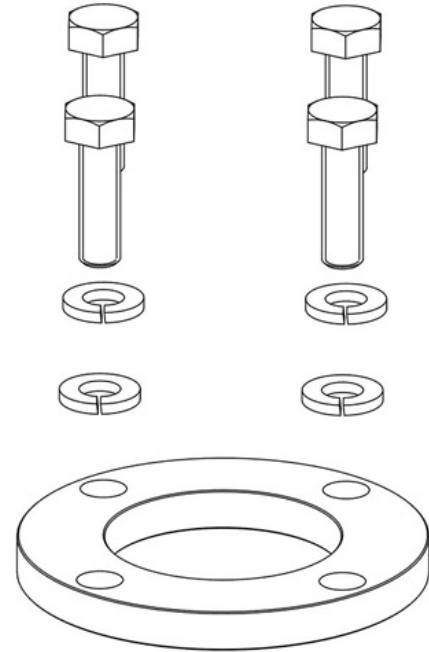
Product Code

**5690/X14**

Oil Level Regulator Adapter

3/4"NPT

PS = 140 bar



### Product use

The oil regulators ensure monitoring and control of the oil level in the crankcases of both alternative reciprocating and scroll compressors.

Specifically, these regulators are employed to resolve the problem of incorrect oil distribution in multiple compressor plants.

- Refrigerant CO2 (R744)

### Product details

Desenho 

N° catálogo 5690/X14

Conexões Carter compressor (1 Roscado 3/4" NPT)

Embalagem 5

### Notes

(1) incluindo parafusos para fixar o adaptador ao regulador de nível de óleo