

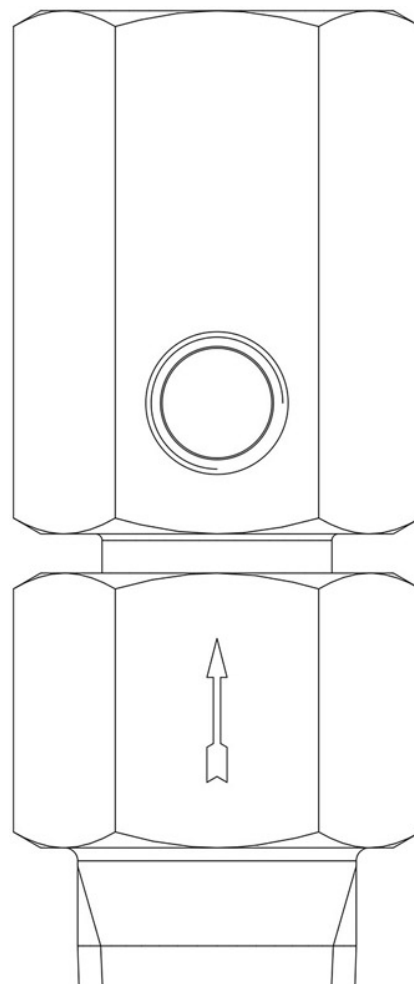
Product Code

3070/44C240

Bursting Disc Safety Device

1/2"x1/2"NPT Pset=24,0bar

PS = 55 bar



Product use

Safety device 3070 is a pressure relief device that cannot be closed again, in which a bursting disc is sensitive to a positive differential pressure between the upstream and downstream sections. It is designed to burst at a specified pressure.

Safety accessories for use with the following ASHRAE 34:2019 refrigerants, Class A1:

HCFC (R22)

HFC (R134a, R404A, R407C, R410A, R507)

HFO (R1234ze)

HFO + HFC (R448A, R449A, R450A, R452A, R513A, R515A, R515B)

Available at various burst pressures from 14 to 52 bar.

Product details

Anschlüsse EINGANG mit Außer 1/2" NPT

Anschlüsse AUSGANG mit Inner 1/2" NPT

Hilfsanschluss 2 x 1/8" NPT

Öffnungs-querschnitt [mm²] 113

Brechdruck Pb [bar] 24

Max. Betriebsdruck 75 % Pb

PS[bar] 55

| | |
|--------------------|------|
| TS[°C] min. | -50 |
| TS[°C] max. | +150 |
| Verpackung | 20 |