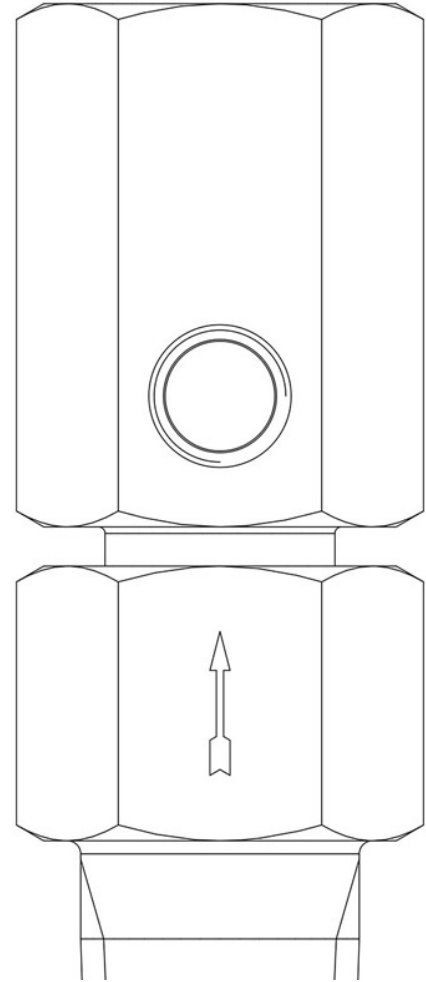


## Product Code

# 3070/44C230

Bursting Disc Safety Device  
1/2"x1/2"NPT Pset=23,0bar  
PS = 55 bar



### Product use

Safety device 3070 is a pressure relief device that cannot be closed again, in which a bursting disc is sensitive to a positive differential pressure between the upstream and downstream sections. It is designed to burst at a specified pressure.

Safety accessories for use with the following ASHRAE 34:2019 refrigerants, Class A1:

HCFC (R22)

HFC (R134a, R404A, R407C, R410A, R507)

HFO (R1234ze)

HFO + HFC (R448A, R449A, R450A, R452A, R513A, R515A, R515B)

Available at various burst pressures from 14 to 52 bar.

### Product details

**Anschlüsse EINGANG** mit Außer 1/2" NPT

**Anschlüsse AUSGANG** mit Inner 1/2" NPT

**Hilfsanschluss** 2 x 1/8" NPT

**Öffnungs-querschnitt [mm<sup>2</sup>]** 113

**Brechdruck Pb [bar]** 23

**Max. Betriebsdruck** 75 % Pb

**PS[bar]** 55

|                    |      |
|--------------------|------|
| <b>TS[°C] min.</b> | -50  |
| <b>TS[°C] max.</b> | +150 |
| <b>Verpackung</b>  | 20   |