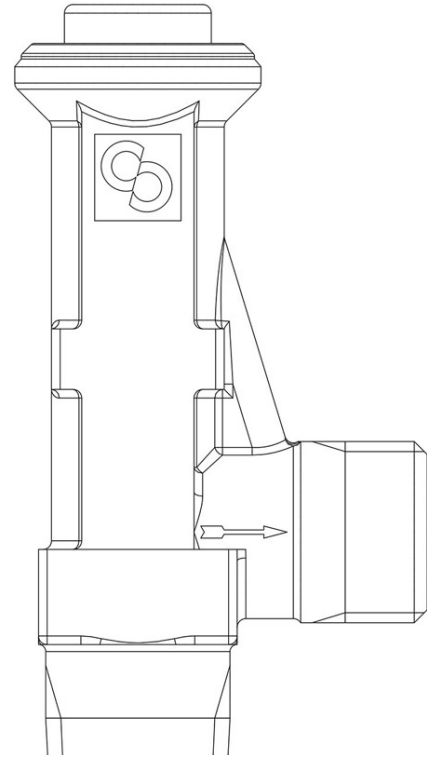


## Product Code

# 3061/3TS

Safety valve  
3/8"NPT x G1/2"Pset=  
PS = 70 bar



### Product use

Safety valve series 3061 and 3065, unbalanced conventional direct load. The valve opens when the thrust exerted on the plunger by the refrigerant under pressure, under calibrated conditions, overcomes the opposing force of the spring acting on the plunger.

Safety accessories (with calibration range from 11 to 60 bar) for use with the following ASHRAE 34:2019 refrigerants, Class A1, A2L, or A3:

HFC (R134A, R32, R404A, R407C, R410A, R507)

HFO (R1234YF, R1234ZE)

HFO + HFC (R448A, R449A, R450A, R452A, R452B, R454A, R454B, R454C, R455A, R513A, R515A, R515B)

HC (R290, R600, R600A, R1270)

### Product details

<b>Anschlüsse IN</b>	3/8" NPT
<b>Anschlüsse OUT</b>	1/2" G
<b>Öffnungs-querschnitt [mm<sup>2</sup>]</b>	44,2
<b>Ausströmungsfaktor Kd</b>	0,783-G
<b>Einstellbereich [bar]</b>	11 - 60
<b>PS[bar]</b>	70
<b>TS[°C] min.</b>	-50
<b>TS[°C] max.</b>	+120
<b>Verpackung</b>	18

## Notes

CASTEL-Lizenznummer zur Herstellung von Sicherheitsventilen: TSF700F77-2022