

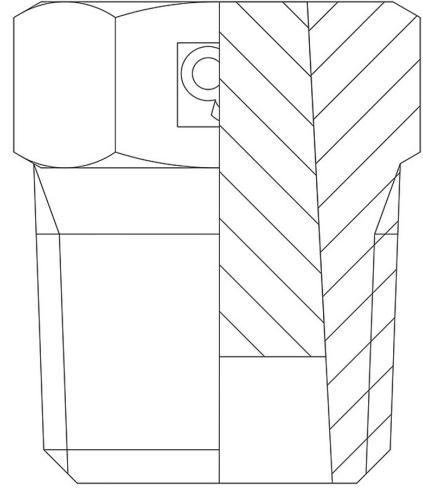
Product Code

3080/2C

Fusible Plug

1/4"NPT T=79° C

PS = 42 bar



CLASSIC

Product use

Fusible plugs are safety devices that contain a material that melts at a specific temperature and consequently vents the pressure. Safety accessories for use with the following ASHRAE 34:2019 refrigerants, Class A1:

HCFC (R22)

HFC (R134a, R404A, R407C, R410A, R507)

HFO (R1234ze)

HFO + HFC (R448A, R449A, R450A, R452A, R513A, R515A, R515B)

Alloy melting point 79 °C for plugs in series 3080. Alloy melting point 138 °C for plugs in series 3082.

Product details

Anschlüsse NPT 1/4"

Querschnitt Öffnung [mm²] 25,5

Kd 0,91

PS[bar] 42

Schmelztemperatur [°C] 79

Maximale Betriebstemperatur [° 68

Verpackung 100