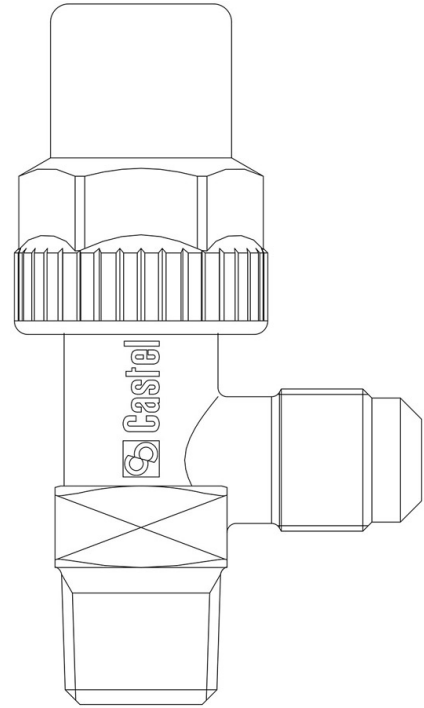


Product Code

6110E/X21

Receiver Valve CO2 with Cap



Product use

Accessories for use with refrigerant R744.

Product details

Anschlüsse SAE Flare 1/4" F

Anschlüsse SAE Flare 1/4"

NPT -

Kv [m³/h] 0,44

PS [bar] 140

MWP [psi] (3) 2030

TS [°C] min. -40

TS [°C] max. +130

Verpackung 90

Notes

(1): Inklusive einer 7580/2 kegelstumpfförmigen Dichtung

(2): ohne Dichtung einbaubar

(3): UL-Zulassung ausstehend