

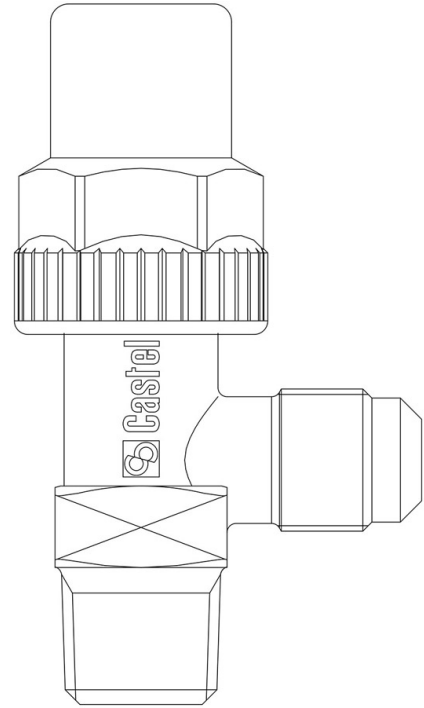
Product Code

6110E/X02

Receiver Valve CO2

1/4" NPT - 1/4" NPT-F with gasket

PS = 140 bar



Product use

Accessories for use with refrigerant R744.

Product details

Anschlüsse SAE Flare 1/4"

Anschlüsse SAE Flare 1/4"

NPT -

Kv [m³/h] 0,44

PS [bar] 140

MWP [psi] (3) 2030

TS [°C] min. -40

TS [°C] max. +130

Verpackung 90

Notes

(1): Inklusive einer 7580/2 kegelstumpfförmigen Dichtung

(2): ohne Dichtung einbaubar

(3): UL-Zulassung ausstehend