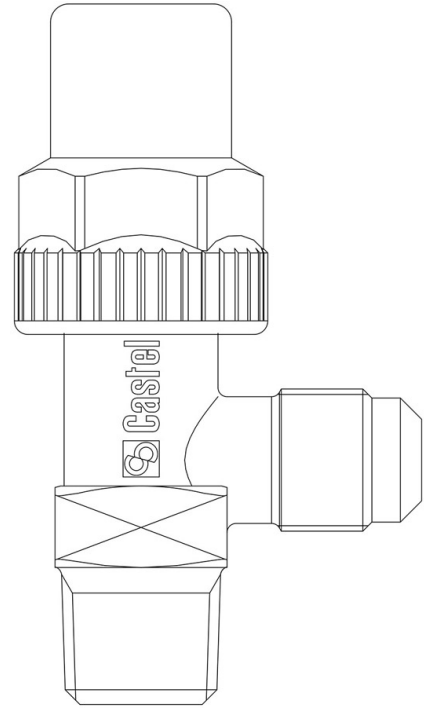


Product Code

6110E/33

Receiver Valve CO2
3/8"FlareX3/8"NPT
PS = 140 bar



Product use

Accessories for use with refrigerant R744.

Product details

Anschlüsse SAE Flare -

Anschlüsse SAE Flare 3/8"

NPT 3/8"

Kv [m³/h] 1,35

PS [bar] 140

MWP [psi] (3) 2030

TS [°C] min. -40

TS [°C] max. +130

Verpackung 90

Notes

- (1): Inklusive einer 7580/2 kegelstumpfförmigen Dichtung
- (2): ohne Dichtung einbaubar
- (3): UL-Zulassung ausstehend