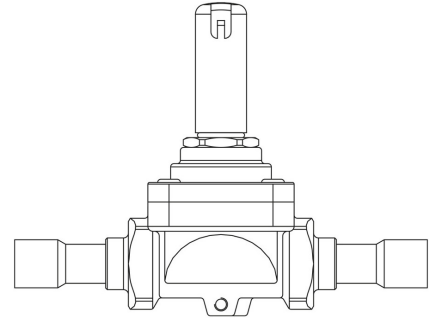


Product Code

**1048EL/5S**

Solenoid Valve CO2  
5/8"-16mm ODS w/o Coil  
PS = 60 bar



## Product use

Accessories for use with refrigerant R744.  
These valves are exclusively sold in the model without coil (S suffix).

## Product details

Funtionsprinzip	Kolbenantrieb
Spulentyp (1)	HF3 (HM3)
Anschlüsse ODS Ø [in.]	5/8"
Anschlüsse ODS Ø [mm]	16
Kv [m <sup>3</sup> /h]	3
PS [bar]	60
TS [°C] min.	-40
TS [°C] max.	+130
Verpackung	14

## Notes

(1) : Spulen, die an den Ventilen montiert werden kann