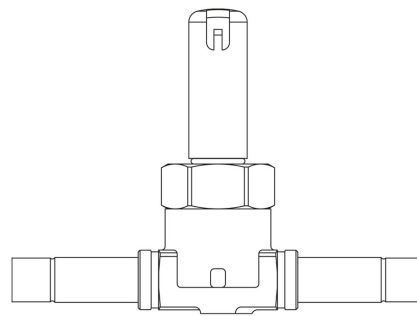


Product Code

1038EL/M12S

Solenoid Valve CO2
12mm ODS w/o Coil
PS = 60 bar



Product use

Accessories for use with refrigerant R744.
These valves are exclusively sold in the model without coil (S suffix).

Product details

Funtionsprinzip Kolbenantrieb

Spulentyp (1) HF3 (HM3)

Anschlüsse ODS Ø [in.] -

Anschlüsse ODS Ø [mm] 12

Kv [m³/h] 1

PS [bar] 60

TS [°C] min. -40

TS [°C] max. +130

Verpackung 24

Notes

(1) : Spulen, die an den Ventilen montiert werden kann