

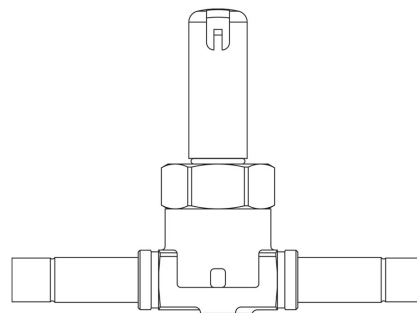
Product Code

1038EL/3S

Solenoid Valve CO2

3/8"ODS w/o Coil

PS = 60 bar



G O G R E E N

R744 • NATURAL REFRIGERANT

Product use

Accessories for use with refrigerant R744.

These valves are exclusively sold in the model without coil (S suffix).

Product details

Funtionsprinzip Kolbenantrieb

Spulentyp (1) HF3 (HM3)

Anschlüsse ODS Ø [in.] 3/8"

Anschlüsse ODS Ø [mm] -

Kv [m³/h] 1

PS [bar] 60

TS [°C] min. -40

TS [°C] max. +130

Verpackung 24

Notes

(1) : Spulen, die an den Ventilen montiert werden kann