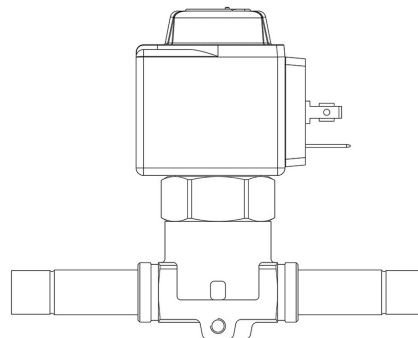


## Product Code

# 1038N/4A6

Solenoid Valve  
1/2" ODS 220-230V  
PS = 50 bar



**P**  **LYHEDRA**

### Product use

Accessories for use with the following ASHRAE 34:2019 refrigerants, Class A1, A2L, or A3:  
 HFC (R134A, R32, R404A, R407C, R410A, R507)  
 HFO (R1234YF, R1234ZE)  
 HFO + HFC (R448A, R449A, R450A, R452A, R452B, R454A, R454B, R454C, R455A, R513A, R515A, R515B)  
 HC (R290, R600, R600A, R1270)

These valves are sold in both the version without the coil (S suffix) and the version with the coil (A6 suffix for coils at 220 VAC).

### Product details

**Funtionsprinzip** Kolbenantrieb

**Spulentyp (1)** HF2

**Anschlüsse ODS Ø [in.]** 1/2"

**Anschlüsse ODS Ø [mm]** -

**Kv [m<sup>3</sup>/h]** 1

**PS [bar]** 50

**TS [°C] min.** -40

**TS [°C] max.** +130

**Verpackung** 17

## Notes

(1): An den Ventilen montierte Spulen