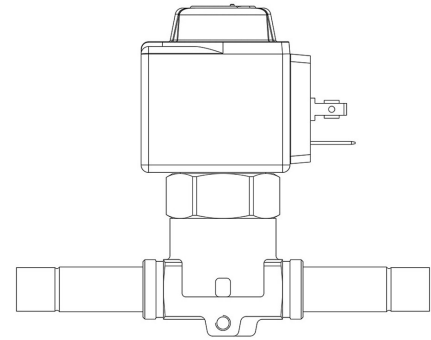


Product Code

1038N/3A6

Solenoid Valve
 3/8"ODS 220-230V
 PS = 50 bar



P  **LYHEDRA**

Product use

Accessories for use with the following ASHRAE 34:2019 refrigerants, Class A1, A2L, or A3:

HFC (R134A, R32, R404A, R407C, R410A, R507)

HFO (R1234YF, R1234ZE)

HFO + HFC (R448A, R449A, R450A, R452A, R452B, R454A, R454B, R454C, R455A, R513A, R515A, R515B)

HC (R290, R600, R600A, R1270)

These valves are sold in both the version without the coil (S suffix) and the version with the coil (A6 suffix for coils at 220 VAC).

Product details

Funtionsprinzip Kolbenantrieb

Spulentyp (1) HF2

Anschlüsse ODS Ø [in.] 3/8"

Anschlüsse ODS Ø [mm] -

Kv [m³/h] 1

PS [bar] 50

TS [°C] min. -40

TS [°C] max. +130

Verpackung 24

Notes

(1): An den Ventilen montierte Spulen