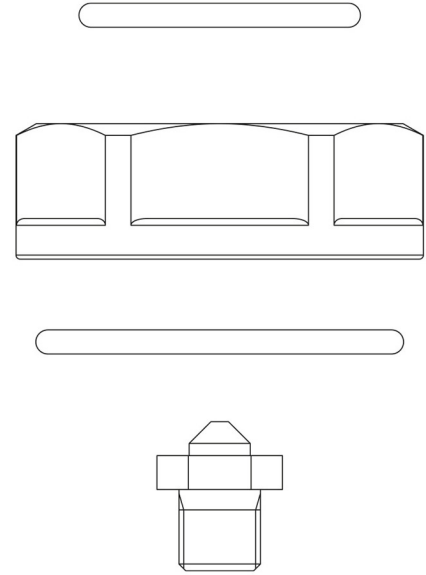


Product Code

9150E/R65

Orifice Assemblies CO2
03x2028E



Product use

Accessories for use with refrigerant R744.

These valves are only sold in the model without the coil (S suffix), with 9 nozzles assembled for an increasing output from 2 to 43 kW.

Product details

Düseneinsatz Typ	03
Nennleistungen (1) [kW] R744	4,93
Verpackung	180

Notes

(1) Nennleistungen basieren auf:

- Verdampfungstemperatur $T_{verd} = -25 \text{ °C}$
- Kondensationstemperatur $T_{kond} = +0 \text{ °C}$
- Temperatur des flüssigen Kältemittels vor dem Ventil $T_{flü} = -4 \text{ °C}$