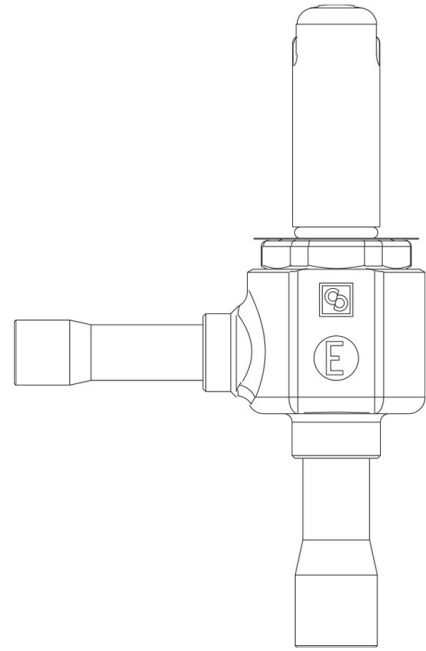


## Product Code

# 2028E/M10S00

10mmx12mm ODS Seat 00  
10mmx12mm ODS Orificio 00  
PS = 90 bar



## Product use

Accessories for use with refrigerant R744.

These valves are only sold in the model without the coil (S suffix), with 9 nozzles assembled for an increasing output from 2 to 43 kW.

## Product details

Düseneinsatz Typ	00
Anschlüsse In Ø [in.]	-
Anschlüsse In Ø [mm]	10
Out Ø [in.]	-
Out Ø [mm]	12
Kv [m <sup>3</sup> /h]	0,0027
PS [bar]	90
MWP [psi] (1)	1305
TS [°C] min. min.	-50
TS [°C] max. max.	+100
Verpackung	17

## Notes

(1): Übereinstimmung zur UL-Zulassung