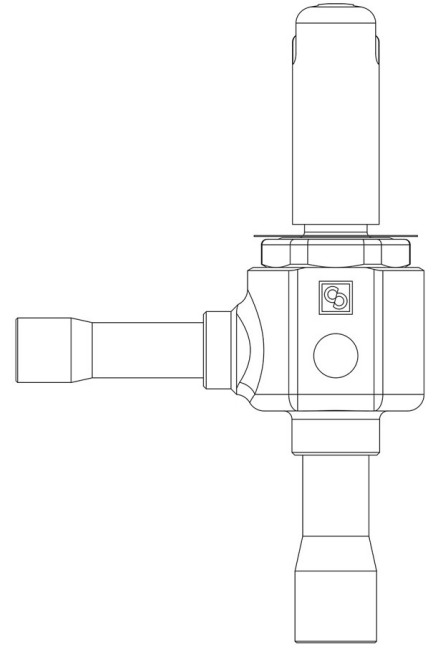


Product Code

2028/3S00



Product use

Accessories for use with the following ASHRAE 34:2019 refrigerants, Class A1:

HCFC (R22)

HFC (R134a, R404A, R407C, R410A, R507)

HFO (R1234ze)

HFO + HFC (R448A, R449A, R450A, R452A, R513A, R515A, R515B)

These valves are only sold in the model without the coil (S suffix), with 9 nozzles assembled for an increasing output from 1 to 22 kW with R410A.

Product details

Düseneinsatz Typ 00

Anschlüsse In Ø [in.] 3/8"

Anschlüsse In Ø [mm] -

Out Ø [in.] 1/2"-

Out Ø [mm] -

Kv [m³/h] 0,0027

PS [bar] 45

TS [°C] min. -40

TS [°C] max. +100

Verpackung 17

Notes

für Nennleistungen siehe Tabelle der Austrittsanordnungen