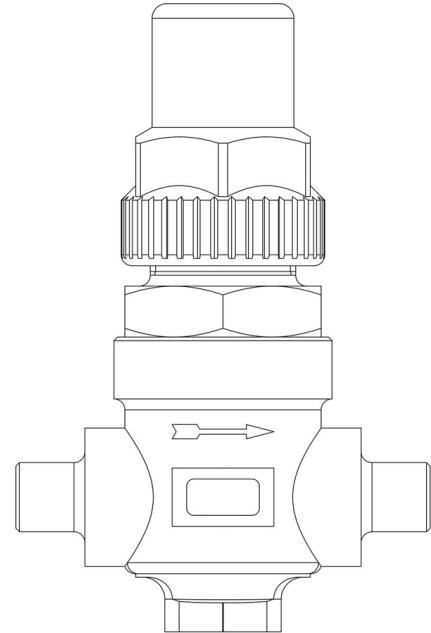


Product Code

6420E/3S3

Capped Valve CO2
3/8"Flare x 3/8"ODS
PS = 120 bar



Product use

Accessories for use with refrigerant R744.

Product details

Anschlüsse SAE Flare	3/8" - OUT
Anschlüsse ODS Ø [in.]	3/8" - IN
ODS Ø [mm]	-
Kv [m ³ /h]	1
PS[bar]	140
MWP [psi] (1)	2030
TS[°C] min.	-40
TS[°C] max.	+130
Verpackung	45

Notes

(1): UL-Zulassung ausstehend