

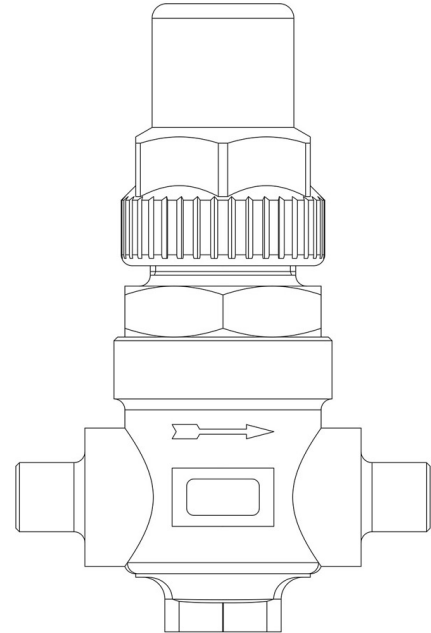
Product Code

6420E/3

Capped valve CO2

3/8"ODS

PS = 120 bar



G O G R E E N

R744 • NATURAL REFRIGERANT

Product use

Accessories for use with refrigerant R744.

Product details

Anschlüsse SAE Flare -

Anschlüsse ODS Ø [in.] 3/8"

ODS Ø [mm] -

Kv [m³/h] 1

PS[bar] 140

MWP [psi] (1) 2030

TS[°C] min. -40

TS[°C] max. +130

Verpackung 45

Notes

(1): UL-Zulassung ausstehend