

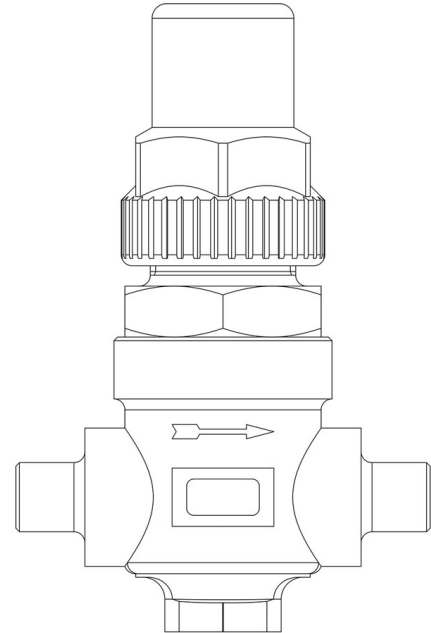
Product Code

6420E/2

Capped Valve CO2

1/4"ODS

PS = 120 bar



GO GREEN

R744 • NATURAL REFRIGERANT

Product use

Accessories for use with refrigerant R744.

Product details

Anschlüsse SAE Flare -

Anschlüsse ODS Ø [in.] 1/4"

ODS Ø [mm] -

Kv [m³/h] 0,4

PS[bar] 140

MWP [psi] (1) 2030

TS[°C] min. -40

TS[°C] max. +130

Verpackung 45

Notes

(1): UL-Zulassung ausstehend