

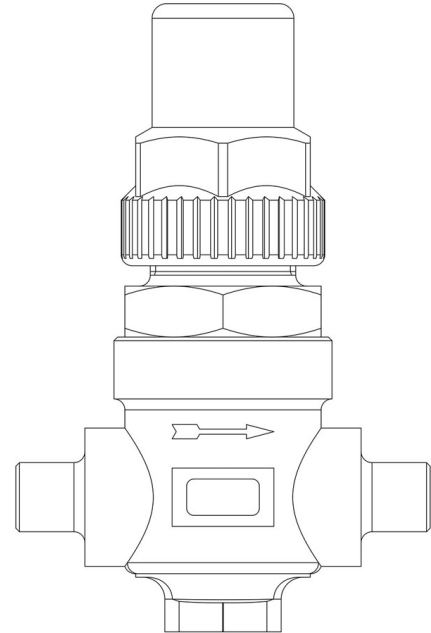
Product Code

**6420/M10**

Capped Valve

10mm ODS

PS = 45 bar



CLASSIC

### Product use

Accessories for use with the following ASHRAE 34:2019 refrigerants, Class A1:

HCFC (R22)

HFC (R134a, R404A, R407C, R410A, R507)

HFO (R1234ze)

HFO + HFC (R448A, R449A, R450A, R452A, R513A, R515A, R515B)

### Product details

Anschlüsse SAE Flare -

Anschlüsse ODS Ø [in.] -

ODS Ø [mm] 10

Kv [m<sup>3</sup>/h] 1

PS[bar] 45

TS[°C] min. -40

TS[°C] max. +110

Verpackung 45