

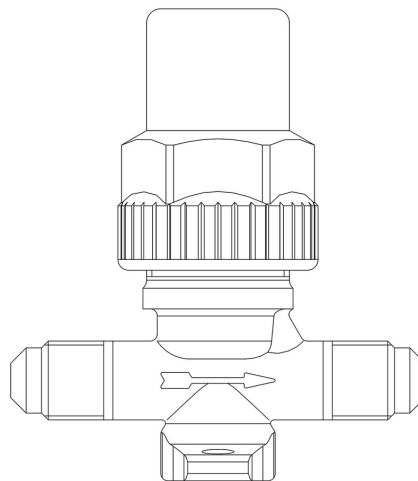
## Product Code

# 6010N/2

Two Ways Hermetic Valve

1/4" Flare

PS = 50 bar



**P**  **LYHEDRA**

### Product use

Accessories for use with the following ASHRAE 34:2019 refrigerants, Class A1, A2L, or A3:

HFC (R134A, R32, R404A, R407C, R410A, R507)

HFO (R1234YF, R1234ZE)

HFO + HFC (R448A, R449A, R450A, R452A, R452B, R454A, R454B, R454C, R455A, R513A, R515A, R515B)

HC (R290, R600, R600A, R1270)

### Product details

Fullanschlüss SAE Flare -

Anschlüsse SAE Flare 1/4"

Anschlüsse SAE Flare 1/4"

ODS Ø [in.] -

ODS Ø [mm] -

Kv [m<sup>3</sup>/h] 0,27

PS[bar] 50

TS[°C] min. -40

TS[°C] max. +150

Verpackung 45