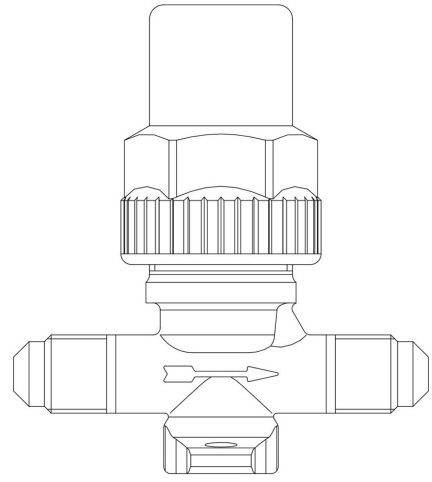


## Product Code

# 6012E/X02

Two Ways Hermetic Valve CO2  
1/4"ODS  
PS = 140



### Product use

Two-way valves with 90 ° connections

- Refrigerant CO2 (R744)

### Product details

Anschlüsse SAE Flare -

Anschlüsse SAE Flare -

ODS Ø [in.] 1/4"

ODS Ø [in.] 1/4"

Kv [m<sup>3</sup>/h] 0,27

PS[bar] 140

MWP [psi] (1) 2030

TS[°C] min. -40

TS[°C] max. +150

Verpackung 45

### Notes

(1): UL-Zulassung ausstehend