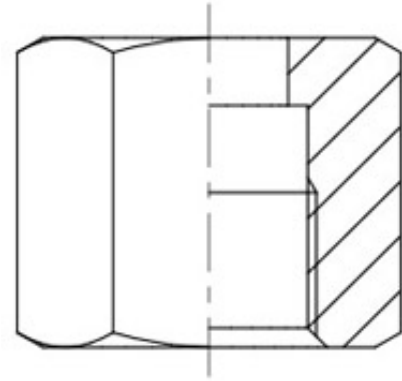


POS.1

Product Code

9901/X13

10 Adapters Package
1/2" Flare/12mm ODS
PS = 140 bar



Product use

Accessories for use with the following ASHRAE 34:2019 refrigerants, Class A1, A2L, or A3:

- HCFC (R22)
- HFC (R134a, R32, R404A, R407C, R410A, R507)
- HFO and HFO/HFC blends (R1234ze, R1234yf, R448A, R449A, R450A, R452A, R513A, R515A, R515B)
- HC (R290, R600, R600a, R1270)
- R744



Product details

Position Komponente	1 + 2 + 3
Anschlüsse SAE Flare	1/2"
Anschlüsse ODS Ø [in.]	-
ODS Ø [mm]	12
PS[bar]	140
Verpackung	10

POS.3

