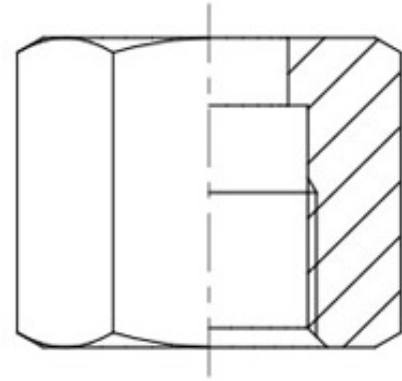


POS.1

Product Code

9900/X59

Nut

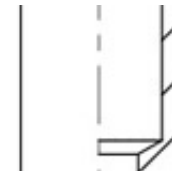


Product use

Accessories for use with the following ASHRAE 34:2019 refrigerants, Class A1, A2L, or A3:

- HCFC (R22)
- HFC (R134a, R32, R404A, R407C, R410A, R507)
- HFO and HFO/HFC blends (R1234ze, R1234yf, R448A, R449A, R450A, R452A, R513A, R515A, R515B)
- HC (R290, R600, R600a, R1270)
- R744

Product details



Position Komponente	1
Anschlüsse SAE Flare	3/8"
Anschlüsse ODS Ø [in.]	-
ODS Ø [mm]	-
PS[bar]	140
Verpackung	100

POS.3

