

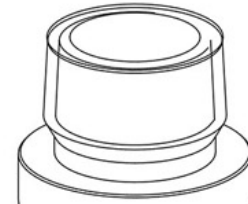
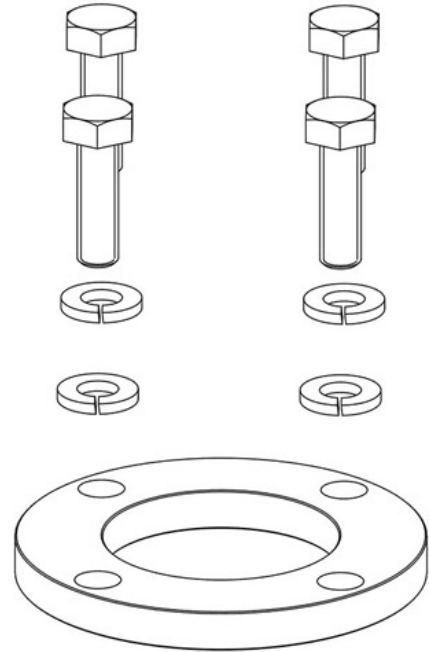
Product Code

5690/X14

Oil Level Regulator Adapter

3/4"NPT

PS = 140 bar



Product use

The oil level regulators ensure monitoring and control of the oil level in the crankcases of both alternative reciprocating and scroll compressors. Specifically, these regulators are employed to resolve the problem of incorrect oil distribution in multiple compressor plants.

Accessories for use with the following ASHRAE 34:2019 refrigerants, Class A1, A2L, or A3:

HCFC (R22)

HFC (R134A, R32, R404A, R407C, R410A, R507)

HFO (R1234YF, R1234ZE)

HFO + HFC (R448A, R449A, R450A, R452A, R452B, R454A, R454B, R454C, R455A, R513A, R515A, R515B)

HC (R290, R600, R600A, R1270)

Product details

KatalogNr 5690/X14

Verdichter-Kurbelgehäuse Ansc Gewinde 3/4" NPT

Verpackung 5

Notes

(1) inklusive Schrauben zur Befestigung des Adapters am Ölspiegelregulator