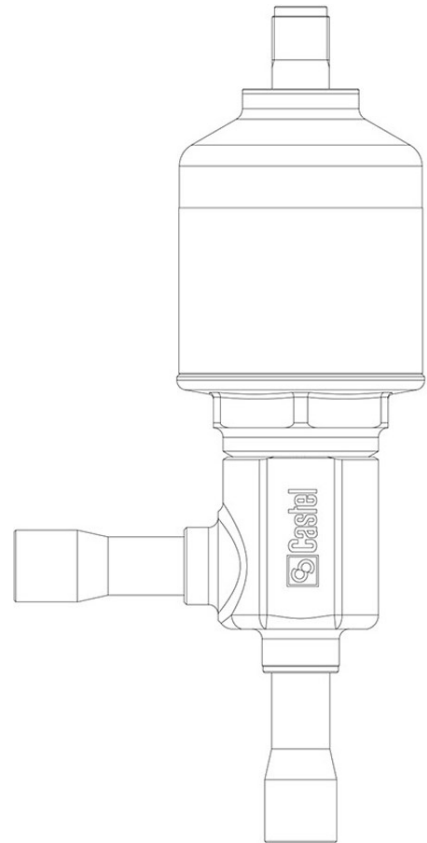


## Product Code

# 27236/M12

Electronic Expansion Valve  
12mm ODS  
PS = 50 bar

**P**  **LYHEDRA**



### Product use

Castel step-motor expansion valves series 271, 272, 273 regulate the flow of the liquid refrigerant into evaporators by modulating the valve shutter position in a calibrated orifice, allowing a wide capacity regulation range.

Accessories for use with the following ASHRAE 34:2019 refrigerants, Class A1, A2L, or A3:

HFC (R134A, R32, R404A, R407C, R410A, R507)

HFO (R1234YF, R1234ZE)

HFO + HFC (R448A, R449A, R450A, R452A, R452B, R454A, R454B, R454C, R455A, R513A, R515A, R515B)

HC (R290, R600, R600A, R1270)

### Product details

Anschlüsse In Ø [in.] -

Anschlüsse In Ø [mm] -

Out Ø [in.] 12

Out Ø [mm] 12

PS [bar] 50

TS [°C] min. -40

<b>TS [°C] max.</b>	+60
<b>Spannung [V]</b>	9
<b>Leistung [W]</b>	5,4
<b>Schritte</b>	415
<b>Schutz - klasse</b>	IP65
<b>Verpackung</b>	5

## Notes

Bipolarer Schrittmotor mit Permanentmagneten