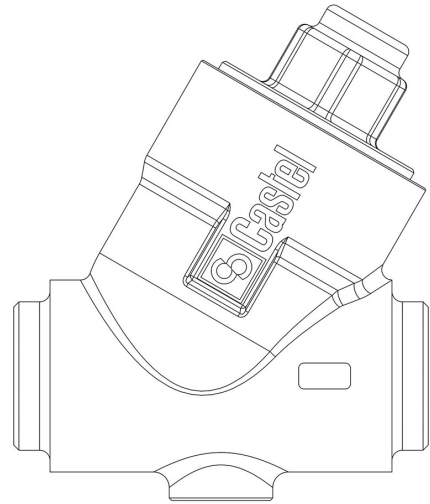


## Product Code

# 3125N/7

Check Valve  
7/8" ODS  
PS = 50 bar



**P**  **LYHEDRA**

### Product use

Accessories for use with the following ASHRAE 34:2019 refrigerants, Class A1, A2L, or A3:

HFC (R134A, R32, R404A, R407C, R410A, R507)

HFO (R1234YF, R1234ZE)

HFO + HFC (R448A, R449A, R450A, R452A, R452B, R454A, R454B, R454C, R455A, R513A, R515A, R515B)

HC (R290, R600, R600A, R1270)

### Product details

Anschlüsse ODS Ø [in.] 7/8"

Anschlüsse ODS Ø [mm] -

ODM Ø [in.] 1.1/8"

ODM Ø [mm] -

Kv [m<sup>3</sup>/h] 8,1

Differenzial Druck (1) [bar] 0,3

PS [bar] 50

TS [°C] min. -40

TS [°C] max. +150

Verpackung 14

## Notes

1) Mindestdruck , bei dem das Ventil vollständig offen ist