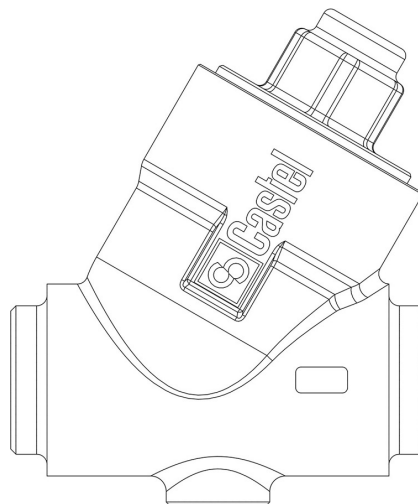


Product Code

3124N/M28

Check Valve
28mm ODS
PS = 50 bar



P  **LYHEDRA**

Product use

Accessories for use with the following ASHRAE 34:2019 refrigerants, Class A1, A2L, or A3:
 HFC (R134A, R32, R404A, R407C, R410A, R507)
 HFO (R1234YF, R1234ZE)
 HFO + HFC (R448A, R449A, R450A, R452A, R452B, R454A, R454B, R454C, R455A, R513A, R515A, R515B)
 HC (R290, R600, R600A, R1270)

Product details

| | |
|-------------------------------------|--------|
| Anschlüsse ODS Ø [in.] | - |
| Anschlüsse ODS Ø [mm] | 28 |
| ODM Ø [in.] | 1.3/8" |
| ODM Ø [mm] | 35 |
| Kv [m³/h] | 10,4 |
| Differenzial Druck (1) [bar] | 0,04 |
| PS [bar] | 50 |
| TS [°C] min. | -40 |
| TS [°C] max. | +150 |
| Verpackung | 14 |

Notes

1) Mindestdruck , bei dem das Ventil vollständig offen ist