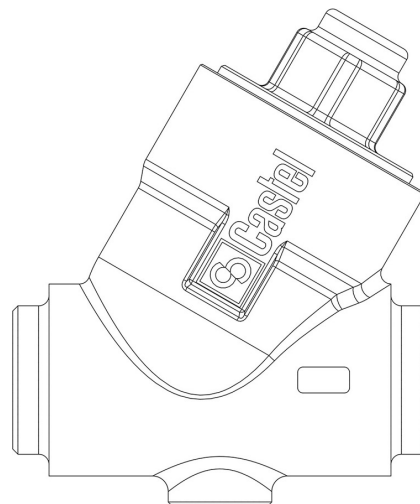


## Product Code

# 3124N/17

Check Valve  
2.1/8" ODS  
PS = 50 bar



**P**  **LYHEDRA**

### Product use

Accessories for use with the following ASHRAE 34:2019 refrigerants, Class A1, A2L, or A3:  
 HFC (R134A, R32, R404A, R407C, R410A, R507)  
 HFO (R1234YF, R1234ZE)  
 HFO + HFC (R448A, R449A, R450A, R452A, R452B, R454A, R454B, R454C, R455A, R513A, R515A, R515B)  
 HC (R290, R600, R600A, R1270)

### Product details

<b>Anschlüsse ODS Ø [in.]</b>	2.1/8"
<b>Anschlüsse ODS Ø [mm]</b>	54
<b>ODM Ø [in.]</b>	-
<b>ODM Ø [mm]</b>	-
<b>Kv [m<sup>3</sup>/h]</b>	39
<b>Differenzial Druck (1) [bar]</b>	0,04
<b>PS [bar]</b>	50
<b>TS [°C] min.</b>	-40
<b>TS [°C] max.</b>	+150
<b>Verpackung</b>	1

## Notes

1) Mindestdruck , bei dem das Ventil vollständig offen ist