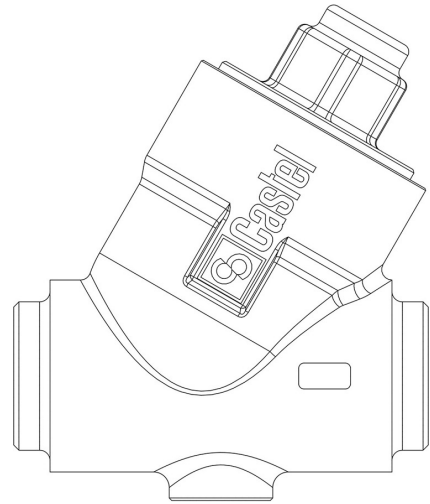


Product Code

3124N/11

Check Valve
1.3/8"-35mm ODS
PS = 50 bar



P  **LYHEDRA**

Product use

Accessories for use with the following ASHRAE 34:2019 refrigerants, Class A1, A2L, or A3:

HFC (R134A, R32, R404A, R407C, R410A, R507)

HFO (R1234YF, R1234ZE)

HFO + HFC (R448A, R449A, R450A, R452A, R452B, R454A, R454B, R454C, R455A, R513A, R515A, R515B)

HC (R290, R600, R600A, R1270)

Product details

Anschlüsse ODS Ø [in.] 1.3/8"

Anschlüsse ODS Ø [mm] 35

ODM Ø [in.] 1.5/8"

ODM Ø [mm] -

Kv [m³/h] 15,6

Differenzial Druck (1) [bar] 0,04

PS [bar] 50

TS [°C] min. -40

TS [°C] max. +150

Verpackung 14

Notes

1) Mindestdruck , bei dem das Ventil vollständig offen ist