

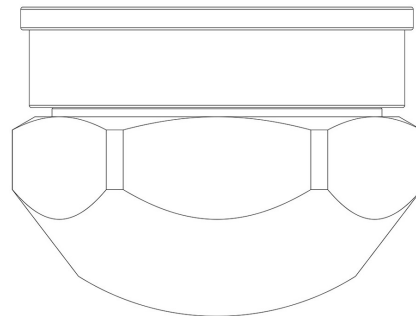
Product Code

3780/9

Moisture Indicator Saddle Type

pipe 28mm

PS = 45 bar



CLASSIC

Product use

Accessories for use with the following ASHRAE 34:2019 refrigerants, Class A1:

HCFC (R22)

HFC (R134a, R404A, R407C, R410A, R507)

HFO (R1234ze)

HFO + HFC (R448A, R449A, R450A, R452A, R513A, R515A, R515B)

Product details

Raccords ODS Ø [in.] -

Raccords ODS Ø [mm] -

ODM Ø [in.] -

ODM Ø [mm] -

Pour tuyau Ø [in.] 1.1/8"

Pour tuyau Ø [mm] 28

Orifice Ø [mm] -

PS [bar] 45

TS[°C] min. -30

TS[°C] max. +110

Emballage 120