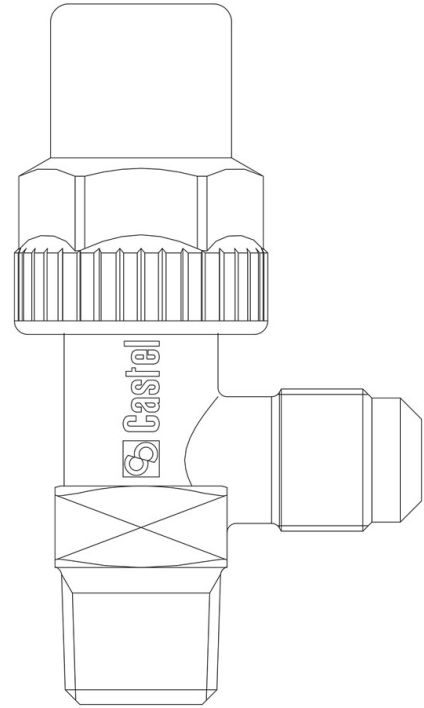


Product Code

6110N/33

Receiver Valve
3/8"Flarex3/8"NPT
PS = 50 bar



Product use

Accessories for use with the following ASHRAE 34:2019 refrigerants, Class A1, A2L, or A3:

HFC (R134A, R32, R404A, R407C, R410A, R507)

HFO (R1234YF, R1234ZE)

HFO + HFC (R448A, R449A, R450A, R452A, R452B, R454A, R454B, R454C, R455A, R513A, R515A, R515B)

HC (R290, R600, R600A, R1270)

Product details

Raccord chargement SAE Flare -

Raccords SAE Flare 3/8"

Raccords NPT 3/8"

Kv [m³/h] 1,35

PS [bar] 50

TS [°C] min. -40

TS [°C] max. +150

Emballage 90