

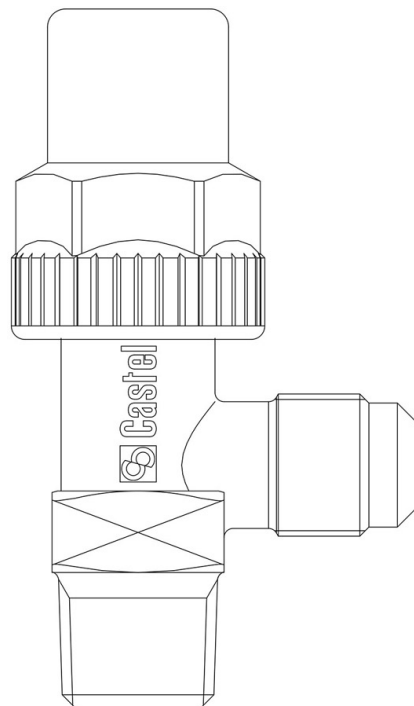
## Product Code

# 6110E/X13

Receiver Valve CO2

3/8"Flare femminax3/8"Flare

PS = 140 bar



## Product use

Accessories for use with refrigerant R744.

## Product details

Raccords SAE Flare 3/8" F

Raccords SAE Flare 3/8"

NPT -

Kv [m<sup>3</sup>/h] 1,35

PS [bar] 140

MWP [psi] (3) 2030

TS [°C] min. -40

TS [°C] max. +130

Emballage 90

## Notes

(1) : Y compris un joint tronconique 7580/2

(2): peut être installé sans joint

(3): homologation UL en cours