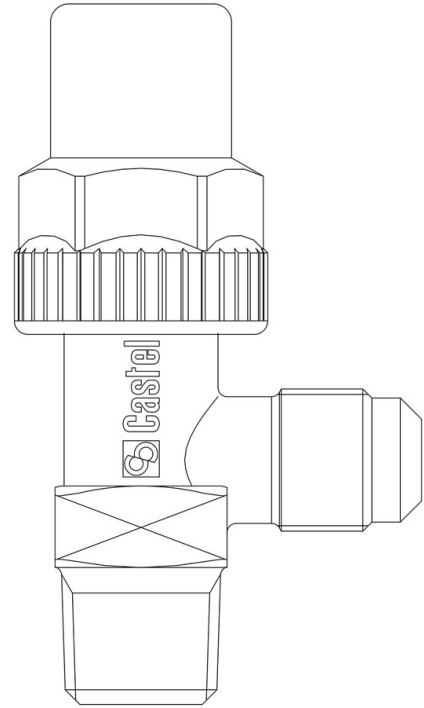


Product Code

6110E/33

Receiver Valve CO2
3/8"FlareX3/8"NPT
PS = 140 bar



Product use

Accessories for use with refrigerant R744.

Product details

Raccords SAE Flare	-
Raccords SAE Flare	3/8"
NPT	3/8"
Kv [m ³ /h]	1,35
PS [bar]	140
MWP [psi] (3)	2030
TS [°C] min.	-40
TS [°C] max.	+130
Emballage	90

Notes

- (1) : Y compris un joint tronconique 7580/2
- (2): peut être installé sans joint
- (3): homologation UL en cours