

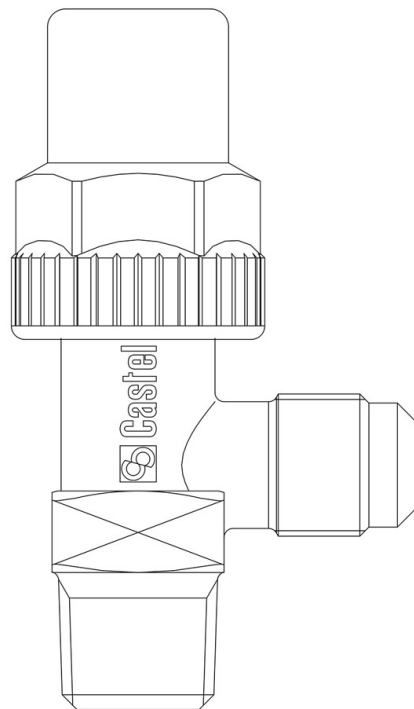
Product Code

6110E/22

Receiver Valve CO2

1/4"FlareX1/4"NPT

PS = 140 bar



Product use

Accessories for use with refrigerant R744.

Product details

Raccords SAE Flare -

Raccords SAE Flare 1/4"

NPT 1/4"

Kv [m³/h] 0,44

PS [bar] 140

MWP [psi] (3) 2030

TS [°C] min. -40

TS [°C] max. +130

Emballage 90

Notes

(1) : Y compris un joint tronconique 7580/2

(2): peut être installé sans joint

(3): homologation UL en cours