

Product Code

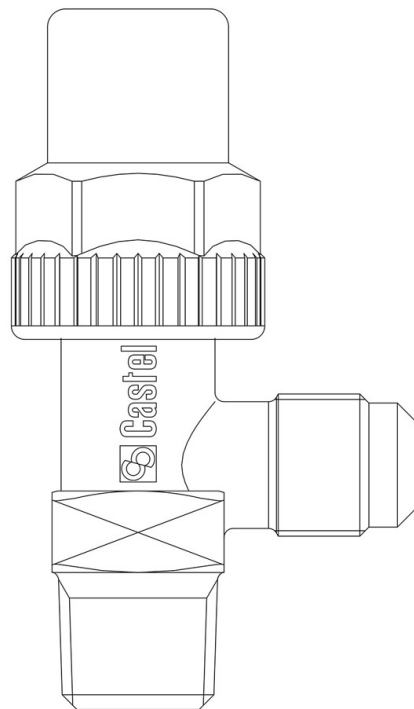
**6110/X11**

Receiver Valve

1/4"NPTx1/4"NPT female

PS = 45 bar

CLASSIC



## Product use

Accessories for use with the following ASHRAE 34:2019 refrigerants, Class A1:

HCFC (R22)

HFC (R134a, R404A, R407C, R410A, R507)

HFO (R1234ze)

HFO + HFC (R448A, R449A, R450A, R452A, R513A, R515A, R515B)

## Product details

### Raccordi SAE Flare -

Raccordi SAE Flare

-

Raccordi NPT

1/4" M/F

Kv [m<sup>3</sup>/h]

0,44

PS [bar]

45

TS [°C] min.

-40

TS [°C] max.

+130

Emballage

48