

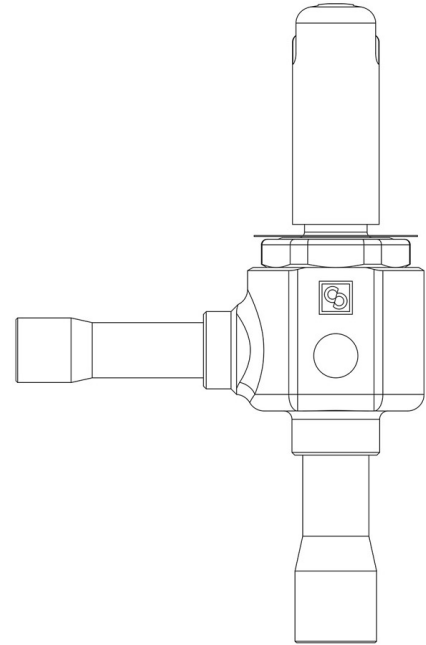
Product Code

2028R/M10S06

PWM Expansion Valve VLT R23

10mmx12mm ODS Seat 06

PS = 45 bar



CLASSIC

Product use

Accessories for use with the following ASHRAE 34:2019 refrigerants, Class A1:

HCFC (R22)

HFC (R134a, R404A, R407C, R410A, R507)

HFO (R1234ze)

HFO + HFC (R448A, R449A, R450A, R452A, R513A, R515A, R515B)

These valves are only sold in the model without the coil (S suffix), with 9 nozzles assembled for an increasing output from 1 to 22 kW with R410A.

Product details

Type d?orifice	06
Raccords In Ø [in.]	-
Raccords In Ø [mm]	10
Out Ø [in.]	-
Out Ø [mm]	12
Kv [m ³ /h]	0,113
Capacités nominales R23 (1) [kW 13,5	
PS [bar]	45
TS [°C] min.	-80

TS [°C] max.	+60
Emballage	17

Notes

(1) Les capacités nominales se basent sur :

- Température d'évaporation $T_{evap} = - 30 \text{ °C}$
- Température de condensation $T_{cond} = - 4 \text{ °C}$
- Température du liquide frigorigène en amont du détendeur $T_{liq} = - 8 \text{ °C}$