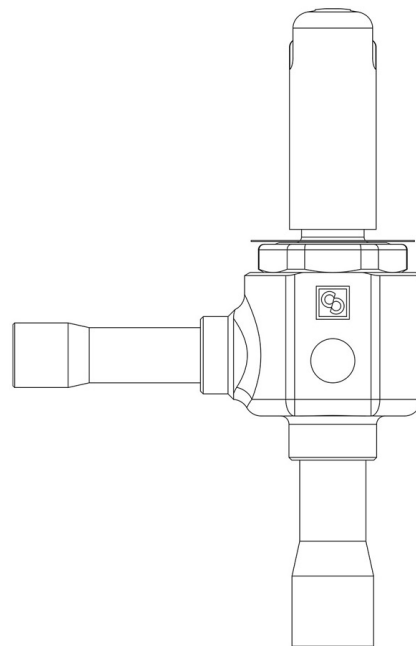


Product Code

2028R/M10S02



CLASSIC

Product use

Accessories for use with the following ASHRAE 34:2019 refrigerants, Class A1:

HCFC (R22)

HFC (R134a, R404A, R407C, R410A, R507)

HFO (R1234ze)

HFO + HFC (R448A, R449A, R450A, R452A, R513A, R515A, R515B)

These valves are only sold in the model without the coil (S suffix), with 9 nozzles assembled for an increasing output from 1 to 22 kW with R410A.

Product details

Type d?orifice 02

Raccords In Ø [in.] -

Raccords In Ø [mm] 10

Out Ø [in.] -

Out Ø [mm] 12

Kv [m³/h] 0,017

Capacités nominales R23 (1) [kW 3

PS [bar] 45

TS [°C] min. -80

TS [°C] max. +60

Castel non si assume alcuna responsabilità per eventuali errori nei cataloghi, opuscoli e altro materiale stampato o indicato nel sito Castel.it. Castel si riserva il diritto di modificare i propri prodotti senza preavviso. Tutti i marchi in questo materiale sono di proprietà di Castel. Tutti i diritti riservati.

Castel assumes no responsibility for any errors in catalogs, brochures and other material printed or indicated on the Castel.it website. Castel reserves the right to modify its products without notice. All trademarks in this material are the property of Castel. All rights reserved.

Notes

(1) Les capacités nominales se basent sur :

- Température d'évaporation $T_{\text{evap}} = - 30 \text{ }^{\circ}\text{C}$
- Température de condensation $T_{\text{cond}} = - 4 \text{ }^{\circ}\text{C}$
- Température du liquide frigorigène en amont du détendeur $T_{\text{liq}} = - 8 \text{ }^{\circ}\text{C}$