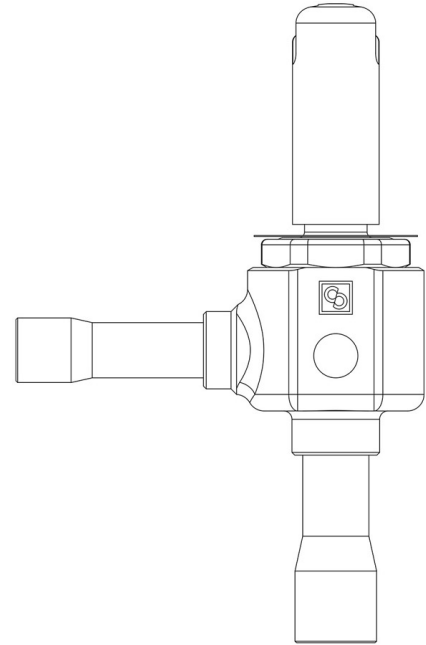


Product Code

2028/M10S04

PWM Expansion Valve
10mmx12mm ODS Seat 04
PS = 45 bar



CLASSIC

Product use

Accessories for use with the following ASHRAE 34:2019 refrigerants, Class A1:

HCFC (R22)

HFC (R134a, R404A, R407C, R410A, R507)

HFO (R1234ze)

HFO + HFC (R448A, R449A, R450A, R452A, R513A,
R515A, R515B)

These valves are only sold in the model without the coil (S suffix), with 9 nozzles assembled for an increasing output from 1 to 22 kW with R410A.

Product details

| | |
|------------------------|-------|
| Type d?orifice | 04 |
| Raccords In Ø [in.] | - |
| Raccords In Ø [mm] | 10 |
| Out Ø [in.] | - |
| Out Ø [mm] | 12 |
| Kv [m ³ /h] | 0,043 |
| PS [bar] | 45 |
| TS [°C] min. | -40 |
| TS [°C] max. | +100 |

Notes

pour les capacités nominales voir tableau des ensembles d'orifices