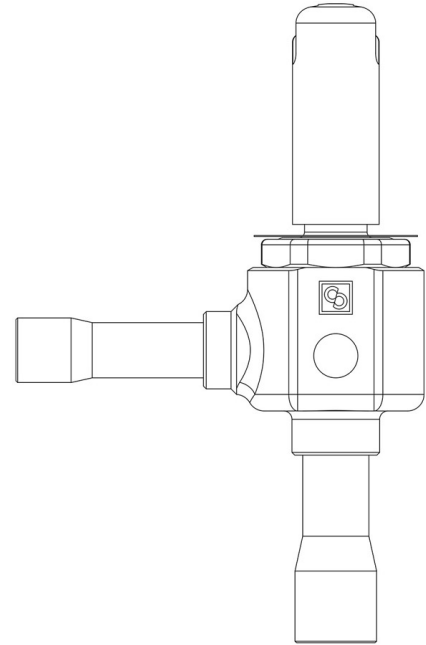


## Product Code

# 2028/M10S03

PWM Expansion Valve  
10mmx12mm ODS Seat 03  
PS = 45 bar



CLASSIC

### Product use

Accessories for use with the following ASHRAE 34:2019 refrigerants, Class A1:

HCFC (R22)

HFC (R134a, R404A, R407C, R410A, R507)

HFO (R1234ze)

HFO + HFC (R448A, R449A, R450A, R452A, R513A,  
R515A, R515B)

These valves are only sold in the model without the coil (S suffix), with 9 nozzles assembled for an increasing output from 1 to 22 kW with R410A.

### Product details

Type d?orifice	03
Raccords In Ø [in.]	-
Raccords In Ø [mm]	10
Out Ø [in.]	-
Out Ø [mm]	12
Kv [m <sup>3</sup> /h]	0,023
PS [bar]	45
TS [°C] min.	-40
TS [°C] max.	+100

## Notes

pour les capacités nominales voir tableau des ensembles d'orifices